

**Accuride**

**DRAWER SLIDES**

Medium-Duty – Undermount



For use with drawers up to 30" wide. Full extension with front lever disconnect. 100 lb. load rating per pair. Clear zinc finish.

**Easy Close.** Brings drawers to gentle close.

Item #	Type	Length In.	Description
C313212ECD	With Hardware	12	Easy close
C313214ECD	With Hardware	14	Easy close
C313216ECD	With Hardware	16	Easy close
C313218ECD	With Hardware	18	Easy close
C313220ECD	With Hardware	20	Easy close
C313222ECD	With Hardware	22	Easy close
C313224ECD	With Hardware	24	Easy close
C3132-12EC	Without Hardware	12	Easy close
C3132-14EC	Without Hardware	14	Easy close
C3132-16EC	Without Hardware	16	Easy close
C3132-18EC	Without Hardware	18	Easy close
C3132-20EC	Without Hardware	20	Easy close
C3132-22EC	Without Hardware	22	Easy close

**Accessories**

Item #	Description
41800559XE	Horizontal mounting kit
41800560XE	Rear face frame bracket kit
41800568XE	Drilling jig
41800569XE	Bottom mount bracket kit
41800584XE	Vertical mount disconnect
41800587XE	Bulk mounting kits (60 each, left & right)
41800604XE	Inset face frame bracket kit
41800605XE	Inset face frame bracket – bottom kit

**DRAWER SLIDES**

Medium-Duty – Unhanded Disconnect



For residential and institutional box drawers, kitchen and bathroom cabinets. Full extension. .50" side space. 1.46" side height. Hold-in detent. Includes front face frame mounting holes. 100 lb. load rating per pair. Steel bearings. Black finish.

**Note:** For side mount only; not for use in lateral files.

Item #	Length In.
C3732-12P	12
C3732-14P	14
C3732-16P	16
C3732-18P	18
C3732-20P	20
C3732-22P	22
C3732-24P	24
C3732-26P	26

**Accessories**

Item #	Description
40800234CE	Rear bracket
41800431XE	Rear face frame kit

SLIDES

**DON'T SEE IT HERE?  
WE CAN GET IT FOR  
YOU. CALL US!**

Visit us on the web at [www.unitedplywoods.com](http://www.unitedplywoods.com)

Birmingham, AL  
1640 Mims Ave. SW  
Ph: 205-925-7601  
Fax: 205-925-1315  
800-272-6486

Decatur, AL  
723 Old Trinity Road  
Ph: 256-355-3161  
Fax: 256-355-0073  
800-321-6886



Mobile, AL  
5445 Business Parkway  
Ph: 251-378-0188  
Fax: 251-378-0190  
877-531-7468

Montgomery, AL  
581 Trade Center Street  
Ph: 334-265-6721  
Fax: 334-265-6725  
800-392-8024



**DRAWER SLIDES**  
Lever Disconnect



For store fixtures, desk drawers and residential cabinetry. .50" side space. Hold-in detent. 100-lb. load rating per pair. Features protective coating, steel ball bearings, retainer and rivets. Weather-resistant. Vertical cam adjustment. Clear zinc finish.

Item #	Length In.
<b>Full Extension</b>	
C3832-C8P	8
C3832-C10P	10
C3832-C12P	12
C3832-C14P	14
C3832-C16P	16
C3832-C18P	18
C3832-C20P	20
C3832-C22P	22
C3832-C24P	24
C3832-C26P	26
C3832-C28P	28
<b>Detent-Out</b>	
C3832C12DO	12
C3832C14DO	14
C3832C16DO	16
C3832C18DO	18
C3832C20DO	20
C3832C22DO	22
C3832C24DO	24
C3832C26DO	26
C3832C28DO	28
<b>Self-Closing</b>	
3832C12SCP	12
3832C14SCP	14
3832C16SCP	16
3832C18SCP	18
3832C20SCP	20
3832C22SCP	22
3832C24SCP	24
3832C26SCP	26

<b>Easy-Close</b>	
3832EC16ECD	16
3832EC18ECD	18
3832EC20ECD	20
3832EC22ECD	22
<b>Heavy-Duty Self-Closing</b>	
383212HDSC	12
383214HDSC	14
383216HDSC	16
383218HDSC	18
383220HDSC	20
383222HDSC	22
383224HDSC	24
383226HDSC	26
<b>Weather-Resistant</b>	
CH3832C10D	10
CH3832C12D	12
CH3832C14D	14
CH3832C16D	16
CH3832C18D	18
CH3832C20D	20
CH3832C22D	22
CH3832C24D	24
CH3832C26D	26
<b>Touch Release</b>	
3832C18TRD	18
3832C20TRD	20
3832C22TRD	22
<b>1" Overtravel</b>	
C3834-C12P	12
C3834-C14P	14
C3834-C16P	16
C3834-C18P	18
C3834-C20P	20
C3834-C22P	22
C3834-C24P	24
C3834-C26P	26
C3834-C28P	28
<b>1" Overtravel - Self-Closing</b>	
3834C14SCP	14
3834C16SCP	16
3834C18SCP	18
3834C20SCP	20
3834C22SCP	22
3834C24SCP	24
3834C26SCP	26

<b>Accessories</b>	
Item #	Description
41800322XE	Face frame hardware kit
41800266XE	Pilaster mounting kit

**DRAWER SLIDES**  
Medium-Duty – Rail Mount/Disconnect



For residential cabinetry and commercial desk and storage drawers. Full extension. .50" side space. Steel ball bearings. Hold-in detent. 65lb. load rating per pair. Clear zinc finish.

Item #	Length In.
C2632-08D	8
C2632-10D	10
C2632-12D	12
C2632-14D	14
C2632-16D	16
C2632-18D	18
C2632-20D	20
C2632-22D	22

Visit us on the web at [www.unitedplywoods.com](http://www.unitedplywoods.com)

Birmingham, AL  
1640 Mims Ave. SW  
Ph: 205-925-7601  
Fax: 205-925-1315  
800-272-6486

Decatur, AL  
723 Old Trinity Road  
Ph: 256-355-3161  
Fax: 256-355-0073  
800-321-6886



Mobile, AL  
5445 Business Parkway  
Ph: 251-378-0188  
Fax: 251-378-0190  
877-531-7468

Montgomery, AL  
581 Trade Center Street  
Ph: 334-265-6721  
Fax: 334-265-6725  
800-392-8024

**Accuride**

**DRAWER SLIDES**

Medium-Duty – Rail Mount/  
Disconnect



For file, desk and storage drawers. .50" side space. Progressive movement; slide members extend simultaneously for smooth, silent operation. Hold-in detent. 2.31" side height. 100lb. load rating per pair. Clear zinc finish.

Item #	Type	Length In.
C7432-12D	Full Extension	12
C7432-14D	Full Extension	14
C7432-16D	Full Extension	16
C7432-18D	Full Extension	18
C7432-20D	Full Extension	20
C7432-22D	Full Extension	22
C7432-24D	Full Extension	24
C7432-26D	Full Extension	26
C7432-28D	Full Extension	28
C7434-12D	1" Overtravel	12
C7434-14D	1" Overtravel	14
C7434-16D	1" Overtravel	16
C7434-18D	1" Overtravel	18
C7434-20D	1" Overtravel	20
C7434-22D	1" Overtravel	22
C7434-24D	1" Overtravel	24
C7434-26D	1" Overtravel	26
C7434-28D	1" Overtravel	28

**DRAWER SLIDES**

Medium-Duty – Rail Mount/Disconnect



For desk and credenza drawers, store fixtures and residential cabinetry. .50" side space. Hold-in detent. 2.79" side height. 1" overtravel. Polymer ball bearings. 100 lb. load rating per pair. Clear zinc finish.

Item #	Length In.
C3017-12D	12
C3017-14D	14
C3017-16D	16
C3017-18D	18
C3017-20D	20
C3017-22D	22
C3017-24D	24
C3017-26D	26
C3017-28D	28

**DRAWER SLIDES**

Heavy-Duty – Rail Mount/Disconnect



For lateral files, drawers and store fixtures. Full extension. .50" side space. 3.79" height. Progressive movement. Hold-in detent. Steel ball bearings. 1-1/2" overtravel. 24" maximum drawer width. 150lb load rating per pair. Clear zinc finish.

Item #	Length In.
C4032-12D	12
C4032-14D	14
C4032-16D	16
C4032-18D	18
C4032-20D	20
C4032-22D	22
C4032-24D	24
C4032-26D	26
C4034-28D	28

**DRAWER SLIDES**

Heavy-Duty – Adapter Rail Mount



For lateral files up to 42" wide and large storage drawers. Full extension with 1" overtravel. 200 lb. load rating per pair in side mount, 75lb. in under/flat mount. .89" side space; 2.09" side height. Hold-in detent prevents drawer roll-out. Clear zinc finish.

Item #	Length In.
C3640-12D	12
C3640-14D	14
C3640-16D	16
C3640-18D	18
C3640-20D	20
C3640-22D	22
C3640-24D	24
C3640-26D	26
C3640-28D	28

SLIDES

Visit us on the web at [www.unitedplywoods.com](http://www.unitedplywoods.com)

Birmingham, AL  
1640 Mims Ave. SW  
Ph: 205-925-7601  
Fax: 205-925-1315  
800-272-6486

Decatur, AL  
723 Old Trinity Road  
Ph: 256-355-3161  
Fax: 256-355-0073  
800-321-6886



Mobile, AL  
5445 Business Parkway  
Ph: 251-378-0188  
Fax: 251-378-0190  
877-531-7468

Montgomery, AL  
581 Trade Center Street  
Ph: 334-265-6721  
Fax: 334-265-6725  
800-392-8024

**Accuride**

**DRAWER SLIDES**  
Heavy-Duty – Non-Disconnect



For large pantry pullouts, lateral file drawers and vehicular storage drawers. Full extension. 3" side height. .75" side space. Clear zinc finish.

**Caution:** Not for use as pull-out step or platform for supporting human weight.

Load Rating Per Pair	
Application	Lbs.
Flat mount	150
Mobile	300
Frequent use	400
Moderate use	500
Drawer Slides	
Item #	Length In.
C9301-10P	10
C9301-12P	12
C9301-14P	14
C9301-16P	16
C9301-18P	18
C9301-20P	20
C9301-22P	22
C9301-24P	24
C9301-26P	26
C9301-28P	28
C9301-30P	30
C9301-32P	32
C9301-34P	34
C9301-36P	36
C9301-40P	40
C9301-42P	42
C9301-48P	48
C9301-60P	60
Bracket Kits	
Item #	Size In.
41800471XE	12
41800472XE	16
41800473XE	22
41800474XE	28

**DRAWER SLIDES**  
Super Heavy-Duty



Aluminum construction with stainless steel components. Corrosion resistant for applications exposed to moisture and high humidity.

Non-disconnect.

**Note:** Load ratings are based on slide pair spaced 24" apart.

Item #	Length In.
3/4 Extension - 966-Lb. Load Rating	
AL412016	16
AL412020	20
AL412024	24
AL412028	28
AL412032	32
AL412036	36
AL412040	40
AL412044	44
AL412048	48
Full Extension - 882-Lb. Load Rating	
AL414016	16
AL414020	20
AL414024	24
AL414028	28
AL414032	32
AL414036	36
AL414040	40
AL414044	44
AL414048	48

**SHELF SLIDES**  
Undermount



For mounting pull-out shelves or platforms for pantries and entertainment centers. Accommodates drawers up to 16" wide and 130 lbs. Features hold-in detent to prevent roll-out and bounce-back. 1.54" side height. 2.25" wide. .83" overtravel. Non-disconnect. Steel ball bearings.

Item #	Length In.
C301259012	12
C301259014	14
C301259016	16
C301259018	18
C301259020	20
C301259022	22
C301259024	24
C301259026	26
C301259028	28

**DRAWER SLIDES**  
StowAway™



For use in waste, recycling, laundry or storage bin applications. Full extension. Accommodates drawers up to 16" wide. Features self-closing action and lever disconnect. 22" length. 175-lb. load rating.

Item #	Mounting Type
C3600-200D	Inboard bracket
C3600-201D	Inboard top bracket; outboard bottom bracket

**LOCK OUT SLIDES**  
Heavy-Duty



For kitchen cutting boards, computer shelves and printer roll-out shelves. Full extension. Secures in open position. .87" side space. Bracket mount and disconnect. 110 lb. load rating per pair. Clear zinc finish.

Item #	Length In.
C340-249D	16
C340-248D	18
C340-247D	20
C340-176D	22

Visit us on the web at [www.unitedplywoods.com](http://www.unitedplywoods.com)

Birmingham, AL  
1640 Mims Ave. SW  
Ph: 205-925-7601  
Fax: 205-925-1315  
800-272-6486

Decatur, AL  
723 Old Trinity Road  
Ph: 256-355-3161  
Fax: 256-355-0073  
800-321-6886



Mobile, AL  
5445 Business Parkway  
Ph: 251-378-0188  
Fax: 251-378-0190  
877-531-7468

Montgomery, AL  
581 Trade Center Street  
Ph: 334-265-6721  
Fax: 334-265-6725  
800-392-8024



## TWO WAY TRAVEL SLIDES



For medical carts, kitchen islands and pass-throughs. Features shelf and bottom mount tabs, hold-in detent. 3/4 extension. .38" side space; 1.38" side height. Clear zinc finish.

Item #	Length In.
C2002-12D	12
C2002-14D	14
C2002-16D	16
C2002-18D	18
C2002-20D	20
C2002-22D	22
C2002-24D	24
C2002-26D	26
C2002-28D	28

## PULL-OUT SHELF SLIDES



For kitchen appliance drawers, pan shelves and entertainment centers. Full extension with .88" overtravel. .76" side space; 1.38" side height. Tab mounting and disconnect. 100 lb. load rating per pair. Clear zinc finish.

Item #	Length In.
C322-12D	12
C322-14D	14
C322-16D	16
C322-18D	18
C322-20D	20
C322-22D	22
C322-24D	24
C322-26D	26
C322-28D	28

## DRAWER SLIDES

Under Counter



For pencil drawers and under desktop drawers. 3/4 extension. .44" side space; 1.94" side height. Friction disconnect. Clear zinc finish.

Item #	Length In.
C2006-12D	12
C2006-14D	14
C2006-16D	16
C2006-18D	18
C2006-20D	20
C2006-22D	22
C2006-24D	24
C2006-26D	26
C2006-28D	28

## SUSPENDED DRAWER SLIDES

Lever Disconnect



For use with keyboard trays, pencil drawers and under-desktop drawers. 3/4 extension. Hold-in/out detents. Variable-height brackets can be mounted inboard or outboard for versatility. 75 lb. load rating per pair. Clear zinc finish.

Item #	Length In.
C2109-12D	12
C2109-14D	14
C2109-16D	16
C2109-18D	18
C2109-20D	20
C2109-22D	22
C2109-24D	24
C2109-26D	26
C2109-28D	28

## KEYBOARD DRAWER SLIDES



For keyboard trays, pencil drawers and other suspended drawers requiring a detent in and out. Mounts inboard or outboard. 3/4 extension. Accommodates drawers up to 16" wide and 75 lbs. Features lever disconnect and steel ball bearings.

Item #	Length In.
C2019-12D	12
C2019-14D	14
C2019-16D	16
C2019-18D	18
C2019-20D	20
C2019-22D	22
C2019-24D	24
C2019-26D	26
C2019-28D	28

## KEYBOARD TRAYS



29.6" width. Concealed slides. Removable palm rest and mouse pad. Mounting brackets feature seven adjustment heights. Built-in cable management system.

**No. CBERGO200.** Foam palm rest. Angled keyboard rest.

**No. CBERGO300.** Typing surface locks in full and partial extension positions. Gel palm rest. Rear storage compartments. Adjustable keyboard platform.

Item #	Extension	Load Rating Lbs
CBERGO200	3/4	75
CBERGO300	Full	100

Visit us on the web at [www.unitedplywoods.com](http://www.unitedplywoods.com)

Birmingham, AL  
1640 Mims Ave. SW  
Ph: 205-925-7601  
Fax: 205-925-1315  
800-272-6486

Decatur, AL  
723 Old Trinity Road  
Ph: 256-355-3161  
Fax: 256-355-0073  
800-321-6886



Mobile, AL  
5445 Business Parkway  
Ph: 251-378-0188  
Fax: 251-378-0190  
877-531-7468

Montgomery, AL  
581 Trade Center Street  
Ph: 334-265-6721  
Fax: 334-265-6725  
800-392-8024

SLIDES



**POCKET DOOR SLIDES**

Flipper® – Easy-Down®



For wooden overhead storage cabinets. Maximum door width 4 feet. Installs without reduction of storage volume. Protects from sudden drop of door. 30 lb. load rating per pair. Includes cover cap. Black finish.

Item #	Length In.
CB1155-12D	12
CB1155-14D	14
CB1155-16D	16
CB1155-18D	18
CB1155-20D	20
CB1155-22D	22
CB1155-24D	24

**POCKET DOOR SLIDES**

Self-Aligning – Flipper®



For entertainment centers, armoires and kitchen cabinet doors up to 42" tall and 24" wide. 30 lb. load rating per pair. Black finish.

Item #	Type	Length In.
CB123-12D	With 35mm Inset Hinges	12
CB123-14D	With 35mm Inset Hinges	14
CB123-16D	With 35mm Inset Hinges	16
CB123-18D	With 35mm Inset Hinges	18
CB123-20D	With 35mm Inset Hinges	20
CB123-22D	With 35mm Inset Hinges	22
CB123-24D	With 35mm Inset Hinges	24
CB123-26D	With 35mm Inset Hinges	26
CB123-28D	With 35mm Inset Hinges	28
CB1234-12D	Without Hinges	12
CB1234-14D	Without Hinges	14
CB1234-16D	Without Hinges	16
CB1234-18D	Without Hinges	18
CB1234-20D	Without Hinges	20
CB1234-22D	Without Hinges	22
CB1234-24D	Without Hinges	24
CB1234-26D	Without Hinges	26
CB1234-28D	Without Hinges	28

**Hinge Kits**

Hinges allow inset or face frame mounting

Item #	Application	Hinge Size Mm.
41800313XE	Thick door hinge	40
41800314XE	Overlay hinge	40
41800391XE	Inset hinge	35

**POCKET DOOR SLIDES**

Full Overlay – Pro Pocket™



Mounts to create pocket between cabinet side and internal partition. Allows 3/4" overlay and reduces door damage. Accommodates doors up to 42" tall and 30 lbs. Includes 40mm hinges. Black electroplate finish.

Item #	Size In.
CB1321-16D	16
CB1321-18D	18
CB1321-20D	20
CB1321-22D	22
CB1321-24D	24
CB1321-26D	26
CB1321-28D	28

**Accessories**

Item #	Description	Size Mm
41800525XE	Hinge assembly	40

**MEDIA ACCESS CENTERS**

M.A.C. System



Easy access to component wiring. Extends 20" and rotates 90° in each direction. Cable clips attach to shelves for bundling wires. Accommodates units 20-3/4" W x 18" D. Includes power strip and cable ties.

Item #	Max. Unit Height In.	Load Capacity Lbs.
CBMAC-50	36	150
CBMAC-100	55	300

Visit us on the web at [www.unitedplywoods.com](http://www.unitedplywoods.com)

Birmingham, AL  
1640 Mims Ave. SW  
Ph: 205-925-7601  
Fax: 205-925-1315  
800-272-6486

Decatur, AL  
723 Old Trinity Road  
Ph: 256-355-3161  
Fax: 256-355-0073  
800-321-6886



Mobile, AL  
5445 Business Parkway  
Ph: 251-378-0188  
Fax: 251-378-0190  
877-531-7468

Montgomery, AL  
581 Trade Center Street  
Ph: 334-265-6721  
Fax: 334-265-6725  
800-392-8024

**Accuride**

**TV LIFTS**

Remote Controlled



For use in entertainment center and conference room applications. Conceals screen behind cabinetry. Accommodates flat panel television screens up to 50" diagonal and 33.5" tall. 120-lb. load rating.

Min. Cabinet Dimensions In. (W x H)
30 x 34

\* Allow additional lead time for special order items.

**TOPSLIDE<sup>®</sup>**  
INTERNATIONAL

**FULL EXTENSION BALL BEARING SLIDES**

E-Series



Steel construction. Features full extension, 100lb load capacity. BIFMA/WIC approved. 10 Pair per box. Sold by the pair in full box quantities.

Item #	Size In.
E757-18-ZP	18
E757-20-ZP	20
E757-22-ZP	22

**FULL EXTENSION BALL BEARING SLIDE**

757 Series



Steel construction. Features full extension, 100lb load capacity. BIFMA/WIC approved. 10 Pair per box. Sold by the pair in full box quantities.

Item #	Size In.
757-28-ZP	28

**METAL REAR MOUNTING BRACKETS**

E757 Series



To be used with E757 Series full extension ball bearing slides. Non-handed. Use 2 pieces per pair of slides. 250 Pieces per box. Sold individually.

Item #	Description
RMS01E	Metal Rear Mounting Brackets



**ADJUSTABLE REAR MOUNT BRACKETS**

Topslide - Screw-On

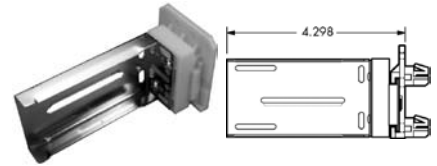


Use with Topslide #E757 series full extension ball bearing slides. Self adjusting horizontal movement. 50 Pieces per box. Sold individually.

Item #	Description
C-603	Left
C-603-01	Right

**ADJUSTABLE REAR MOUNT BRACKETS**

Topslide - 10mm Dowel - 1/4" Back



Use with Topslide #E757 series full extension ball bearing slides. Self adjusting horizontal movement. 50 Pieces per box. Sold individually.

Item #	Description
C-617	Left
C-617-01	Right

SLIDES

Visit us on the web at [www.unitedplywoods.com](http://www.unitedplywoods.com)

Birmingham, AL  
1640 Mims Ave. SW  
Ph: 205-925-7601  
Fax: 205-925-1315  
800-272-6486

Decatur, AL  
723 Old Trinity Road  
Ph: 256-355-3161  
Fax: 256-355-0073  
800-321-6886

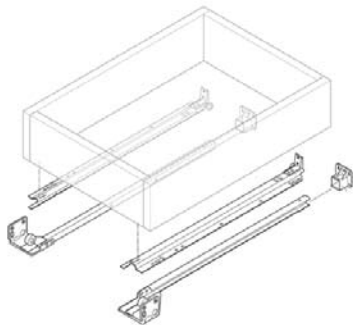


Mobile, AL  
5445 Business Parkway  
Ph: 251-378-0188  
Fax: 251-378-0190  
877-531-7468

Montgomery, AL  
581 Trade Center Street  
Ph: 334-265-6721  
Fax: 334-265-6725  
800-392-8024



**UNDERMOUNT DRAWER SLIDES - EPOXY COATED**  
Express - Roller Version



3/4 ext, self closing, drawer slides for face frame cabinet applications. Made in the U.S.A. Almond epoxy coated. No notching of sub-front required. Double captive, self-aligning system. Self-closing. 75-lb static, 100-lb dynamic. 5/8" Max material thickness. Bottom recess: 1/2". Rear notch: 1-15/16" wide. Rear mount sockets: Sold individually. Slides: Sold by the pair in full box quantities.

Item #	Drawer Box Length In.	Cabt. Member Length In.	Drawer Member Length In.	Box Qty
GR10111-1	12	13-17/32	12-15/16	10 Pair
GR10111-2	15	16-5/8	15-3/4	10 Pair
GR10111-3	18	19-11/16	18-1/2	10 Pair
GR10111-4	21	22-5/8	21-5/8	10 Pair
Item #	Description			Box Qty
GR10111-5	Screw-on rear sockets - non-handed			500 Pcs



**ADJUSTABLE REAR MOUNT BRACKETS**

Grass Express - Screw-On

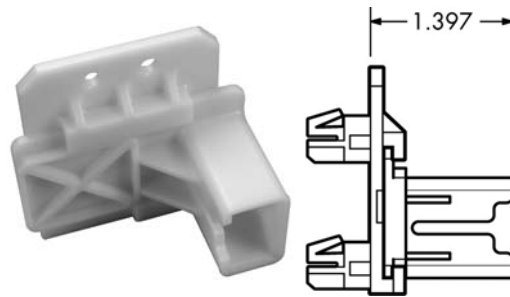


Use with Grass Express epoxy coated undermount slides. Self adjusting horizontal movement. 300 Pieces per box. Sold individually.

Item #	Description
C-371	Left
C-371-01	Right

**ADJUSTABLE REAR MOUNT BRACKETS**

Grass Express - 10mm Dowel - 1/4" Back



Use with Grass Express epoxy coated undermount slides. Self adjusting horizontal movement. 300 Pieces per box. Sold individually.

Item #	Description
C-374	Left
C-374-01	Right



**UNDERMOUNT DRAWER SLIDES - SOFT CLOSE**  
Dynamic NT - 100-lb



Undermount, full ext, soft-close, drawer slides for frameless & face frame cabinet applications. Zinc plated, roll formed steel components. Precision, smooth-running synthetic roller carriages. 16mm (5/8") maximum material thickness. 1/2" Drawer bottom recess. Sold by the pair in full box quantities.

**To figure drawer component sizes:** Outside drawer box length: 12", 15", 18" & 21".

**Calculation outside drawer box width:** When using a 5/8" drawer box thickness, deduct 3/8" from your cabinet opening width. When using 1/2" drawer box thickness, deduct 5/8" from your cabinet opening width.

Item #	Description	Box Qty
GR10098	12"	5 Pair
GR10100	15"	5 Pair
GR10102	18"	5 Pair
GR10104	21"	5 Pair

Visit us on the web at [www.unitedplywoods.com](http://www.unitedplywoods.com)

Birmingham, AL  
1640 Mims Ave. SW  
Ph: 205-925-7601  
Fax: 205-925-1315  
800-272-6486

Decatur, AL  
723 Old Trinity Road  
Ph: 256-355-3161  
Fax: 256-355-0073  
800-321-6886



Mobile, AL  
5445 Business Parkway  
Ph: 251-378-0188  
Fax: 251-378-0190  
877-531-7468

Montgomery, AL  
581 Trade Center Street  
Ph: 334-265-6721  
Fax: 334-265-6725  
800-392-8024



**UNDERMOUNT DRAWER SLIDE  
FRONT LOCKING DEVICES**

Dynamic NT

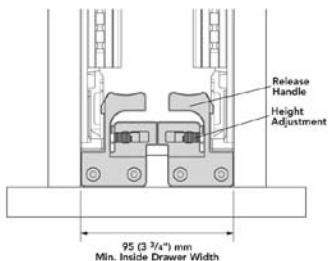


Dynamic NT undermount front locking devices. Integrated height adjustment and lever to remove drawer from cabinetry. Sold in left hand and right hand. 500 Pieces per box. Sold individually.

Item #	Description
GR10106-1	Left hand
GR10106-2	Right hand

**UNDERMOUNT DRAWER SLIDE  
FRONT LOCKING DEVICES - NARROW**

Dynamic NT



Dynamic NT undermount slide narrow drawer front locking devices. Use with narrow drawers measuring a minimum of 3-3/4" inside drawer width. Integrated height adjustment and lever to remove drawer from cabinetry. 40 Packs per box, 5-pair (LH/RH) per pack. Sold by the pack.

Item #	Description
GR10107	Narrow front locking devices

**UNDERMOUNT DRAWER SLIDE  
METAL REAR MOUNT BRACKETS**

Dynamic NT



Dynamic NT undermount slide metal rear mount brackets. Non-handed. 2-required per pair of slides. 300 Pieces per box. Sold individually.

Item #	Description
GR10108	Metal rear mount brackets

**UNDERMOUNT DRAWER SLIDE  
METAL REAR MOUNT BRACKETS - NARROW**

Dynamic NT



Non-handed. For narrow drawers. 2-required per pair of slides. Sold individually.

Item #	Box Quantity
GR10108-1	300 pcs

**UNDERMOUNT DRAWER SLIDE  
PLUG-IN REAR MOUNT BRACKETS**

Dynamic NT



Dynamic NT undermount slide plug-in rear mount brackets. Sold in left hand and right hand. 200 Pieces per box. Sold individually.

Item #	Description
GR10134	Left hand plug-in rear mount brackets
GR10136	Right hand plug-in rear mount brackets

SLIDES

Visit us on the web at [www.unitedplywoods.com](http://www.unitedplywoods.com)

Birmingham, AL  
1640 Mims Ave. SW  
Ph: 205-925-7601  
Fax: 205-925-1315  
800-272-6486

Decatur, AL  
723 Old Trinity Road  
Ph: 256-355-3161  
Fax: 256-355-0073  
800-321-6886

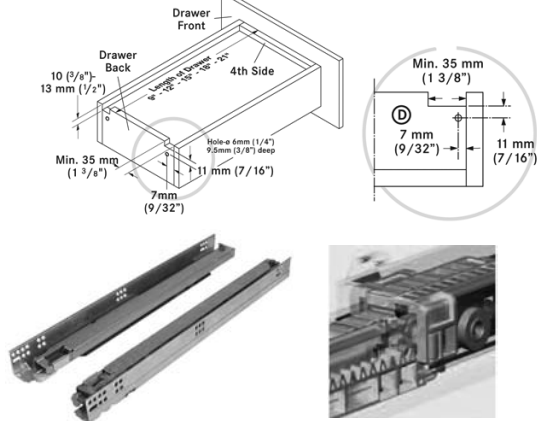


Mobile, AL  
5445 Business Parkway  
Ph: 251-378-0188  
Fax: 251-378-0190  
877-531-7468

Montgomery, AL  
581 Trade Center Street  
Ph: 334-265-6721  
Fax: 334-265-6725  
800-392-8024



**UNDERMOUNT DRAWER SLIDES - SOFT CLOSE**  
**DynaPro - 88-lb**



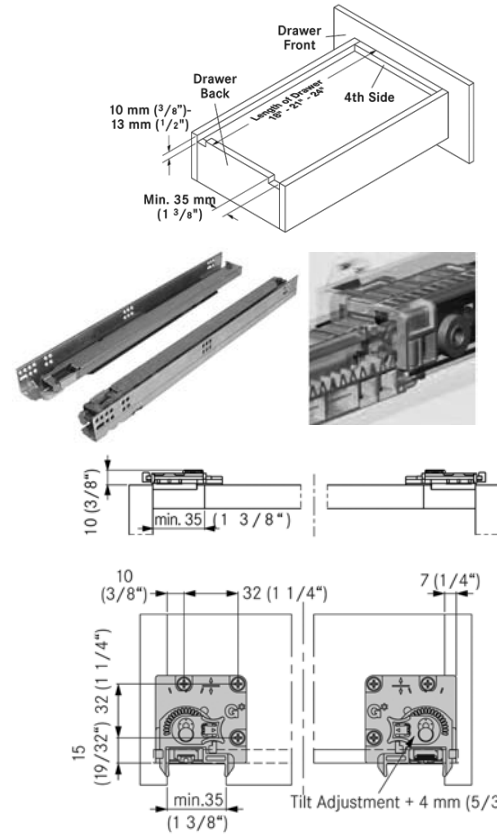
Undermount, full ext, soft-close, drawer slides for frameless & face frame cabinet applications. High load capacity. Synchronization sliding mechanism. Progressive movement. 16mm (5/8") maximum material thickness. 1/2" Drawer bottom recess. Sold by the pair in full box quantities.

**To figure drawer component sizes:** Outside drawer box length: 9", 12", 15", 18" & 21".

**Calculation outside drawer box width:** When using a 5/8" drawer box thickness, deduct 3/8" from your cabinet opening width. When using 1/2" drawer box thickness, deduct 5/8" from your cabinet opening width.

Item #	Description	Box Qty
GR10216-1	9"	5 Pairs
GR10216-2	12"	5 Pairs
GR10216-3	15"	5 Pairs
GR10216-4	18"	5 Pairs
GR10216-5	21"	5 Pairs

**UNDERMOUNT DRAWER SLIDES - SOFT CLOSE**  
**DynaPro 3D - 88-lb. - with Tilt Adjustment**



Undermount, full extension, soft-close drawer slides for frameless & face frame cabinet applications. Progressive movement. 16mm (5/8") maximum material thickness. 1/2" drawer bottom recess. 88-lb load capacity. Synchronization sliding mechanism. No rear hole drilling required. Use with #GR10217-1 & #GR10217-2 rear locking devices with tilt adjustment. 5 Pair per box. Sold by the pair in full box quantities.

**To figure component sizes:** outside drawer box length: 9", 12", 15", 18" & 21".

**Calculation outside drawer box width:** when using a 5/8" drawer box thickness deduct 3/8" from your cabinet opening width. When using a 1/2" drawer box thickness deduct 5/8" from your cabinet opening width.

Item #	Drawer Length In.
GR10219-1	9
GR10219-2	12
GR10219-3	15
GR10219-4	18
GR10219-5	21

Visit us on the web at [www.unitedplywoods.com](http://www.unitedplywoods.com)

Birmingham, AL  
 1640 Mims Ave. SW  
 Ph: 205-925-7601  
 Fax: 205-925-1315  
 800-272-6486

Decatur, AL  
 723 Old Trinity Road  
 Ph: 256-355-3161  
 Fax: 256-355-0073  
 800-321-6886



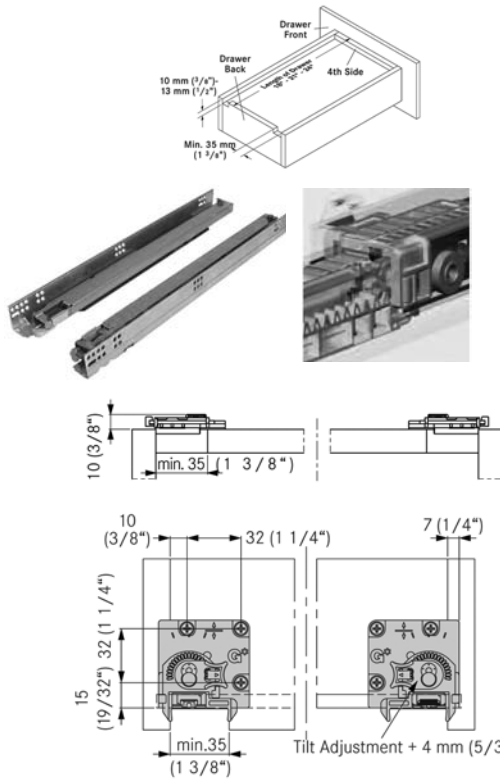
Mobile, AL  
 5445 Business Parkway  
 Ph: 251-378-0188  
 Fax: 251-378-0190  
 877-531-7468

Montgomery, AL  
 581 Trade Center Street  
 Ph: 334-265-6721  
 Fax: 334-265-6725  
 800-392-8024



**UNDERMOUNT DRAWER SLIDES - SOFT CLOSE**

**DynaPro 3D - Heavy Duty - 132-lb. - with Tilt Adjustment**



Undermount, full ext, soft-close, drawer slides for frameless & face frame cabinet applications. High load capacity. Synchronization sliding mechanism. Progressive movement. 16mm (5/8") maximum material thickness. 1/2" Drawer bottom recess. No rear hole required. Use with #GR10217-1 & #GR10217-2 rear locking devices with tilt adjustment. Sold by the pair in full box quantities.

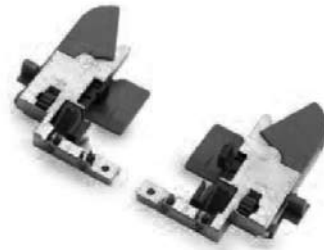
**To figure drawer component sizes:** Outside drawer box length: 9", 12", 15", 18" & 21".

**Calculation outside drawer box width:** When using a 5/8" drawer box thickness, deduct 3/8" from your cabinet opening width. When using 1/2" drawer box thickness, deduct 5/8" from your cabinet opening width.

Item #	Description	Box Qty
GR10216-6	18"	5 Pairs
GR10216-7	21"	5 Pairs
GR10216-8	24"	5 Pairs

**UNDERMOUNT DRAWER SLIDE FRONT LOCKING DEVICES**

**DynaPro**



DynaPro undermount front locking devices. Integrated height and vertical adjustment. Handy lever to remove drawer from cabinetry. Use with standard drawers measuring a minimum of 7-3/32" inside drawer width. Sold in left hand and right hand. 200 Pieces per box. Sold individually.

Item #	Description
GR10218-1	Left hand
GR10218-2	Right hand

**UNDERMOUNT DRAWER SLIDE FRONT LOCKING DEVICES - NARROW**

**DynaPro**



DynaPro undermount slide narrow drawer front locking devices. Use with narrow drawers measuring a minimum of 3-3/4" inside drawer width. Integrated height adjustment and lever to remove drawer from cabinetry. Sold in left hand and right hand. 200 Pieces per box. Sold individually.

Item #	Description
GR10218-3	Left hand
GR10218-4	Right hand

SLIDES

Visit us on the web at [www.unitedplywoods.com](http://www.unitedplywoods.com)

Birmingham, AL  
1640 Mims Ave. SW  
Ph: 205-925-7601  
Fax: 205-925-1315  
800-272-6486

Decatur, AL  
723 Old Trinity Road  
Ph: 256-355-3161  
Fax: 256-355-0073  
800-321-6886

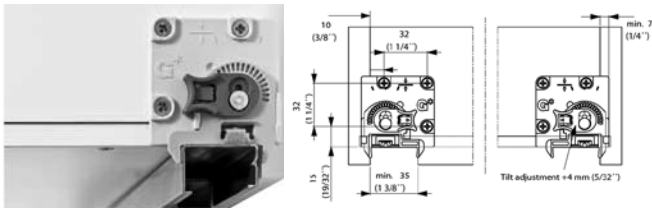


Mobile, AL  
5445 Business Parkway  
Ph: 251-378-0188  
Fax: 251-378-0190  
877-531-7468

Montgomery, AL  
581 Trade Center Street  
Ph: 334-265-6721  
Fax: 334-265-6725  
800-392-8024



**UNDERMOUNT SLIDE REAR TILT BRACKETS**  
DynaPro 3D Series



To be used with Grass DynaPro 3D and 3D heavy duty series undermount slides. Adds tilt adjustment to drawer fronts. 200 Pieces per box. Sold individually.

Item #	Description
GR10217-1	Left Hand
GR10217-2	Right Hand

**UNDERMOUNT DRAWER SLIDE METAL REAR MOUNT BRACKETS**

DynaPro



DynaPro undermount slide metal rear mount brackets. Non-handed. 2-required per pair of slides. 300 Pieces per box. Sold individually.

Item #	Description
GR10108	Metal rear mount brackets

**UNDERMOUNT DRAWER SLIDE METAL REAR MOUNT BRACKETS - NARROW**

DynaPro



Non-handed. For narrow drawers. 2-required per pair of slides. Sold individually.

Item #	Box Quantity
GR10108-1	300 pcs

**UNDERMOUNT DRAWER SLIDE PLUG-IN REAR MOUNT BRACKETS**

DynaPro



DynaPro undermount slide plug-in rear mount brackets. Sold in left hand and right hand. 200 Pieces per box. Sold individually.

Item #	Description
GR10134	Left hand plug-in rear mount brackets
GR10136	Right hand plug-in rear mount brackets

**UNDERMOUNT DRAWER SLIDE 9" SLIDE METAL REAR MOUNT BRACKETS**

DynaPro



9" Dynapro undermount slide metal rear mount brackets. Use with 9" Dynapro slides. 5 Pair per box. Sold by the pair (LH/RH).

Item #	Description
GR10136-1	9" Dynapro slide metal rear mount brackets

Visit us on the web at [www.unitedplywoods.com](http://www.unitedplywoods.com)

Birmingham, AL  
1640 Mims Ave. SW  
Ph: 205-925-7601  
Fax: 205-925-1315  
800-272-6486

Decatur, AL  
723 Old Trinity Road  
Ph: 256-355-3161  
Fax: 256-355-0073  
800-321-6886



Mobile, AL  
5445 Business Parkway  
Ph: 251-378-0188  
Fax: 251-378-0190  
877-531-7468

Montgomery, AL  
581 Trade Center Street  
Ph: 334-265-6721  
Fax: 334-265-6725  
800-392-8024



**ADJUSTABLE REAR MOUNT BRACKETS**

Use with Grass Dynamic NT & Grass Dynapro Undermount Slides - Screw-On



For face frame applications. Self adjusting horizontal movement. For inside cabinet depth of approximately 23" (based on using a 21" slide in this application). Natural color. Non-handed. Sold individually.

Item #	Pieces per Box
C-317	400

**ADJUSTABLE REAR MOUNT BRACKETS**

Use with Grass Dynamic NT & Grass Dynapro Undermount Slides - Screw-On



For face frame applications. Self adjusting horizontal movement. For inside cabinet depth of approx 23-1/4" (based on using a 21" slide in this application). Natural color. Non-handed. Sold individually

Item #	Pieces Per Box
C-276	400

**ADJUSTABLE REAR MOUNT BRACKETS**

10mm Dowel - 1/4" Back



Use with Grass Dynamic NT & DynaPro undermount slides. Self adjusting horizontal movement. 400 Pieces per box. Sold individually.

Item #	Desc.	Type
C-339	Left	For 23" inside cabinet depths with 21" slide
C-339-01	Right	
C-366	Left	For 23-1/4" inside cabinet depths with 21" slide
C-366-01	Right	

**ADJUSTABLE REAR MOUNT BRACKETS - INSET**

Use with Grass Dynamic NT & Grass Dynapro Undermount Slides - Screw-On



For inset face frame applications. Self adjusting horizontal movement. Natural color. Non-handed. Sold individually.

Item #	Pieces Per Box
C-280-02	100

**ADJUSTABLE REAR MOUNT BRACKETS - INSET**

10mm Dowel - 1/4" Back



Use with Grass Dynamic NT & DynaPro undermount slides. Self adjusting horizontal movement. 400 Pieces per box. Sold individually.

Item #	Description
C-338	Left
C-338-01	Right

**GRASS UNDERMOUNT DRAWER SLIDE DRILLING TEMPLATE**

DynaPro



DynaPro undermount slide drilling template. Use for drilling back holes for hook and for pre-drilling holes for front locking devices. Sold individually.

Item #	Description
GR10110-1	Drilling template

SLIDES

Visit us on the web at [www.unitedplywoods.com](http://www.unitedplywoods.com)

Birmingham, AL  
1640 Mims Ave. SW  
Ph: 205-925-7601  
Fax: 205-925-1315  
800-272-6486

Decatur, AL  
723 Old Trinity Road  
Ph: 256-355-3161  
Fax: 256-355-0073  
800-321-6886



Mobile, AL  
5445 Business Parkway  
Ph: 251-378-0188  
Fax: 251-378-0190  
877-531-7468

Montgomery, AL  
581 Trade Center Street  
Ph: 334-265-6721  
Fax: 334-265-6725  
800-392-8024

**G\* GRASS**

**DRAWER SLIDE INSET BRACKETS**



For face frame cabinet applications. Pack includes: 2-universal inset brackets (light brown), needed screws for installation. Works with undermount slides, epoxy bottom mount slides and side mount full extension ball bearing slides. Sold by the pack.

Item #	Description
GR10111	Drawer Slide Inset Brackets

**Fulterer**

**PANTRY PULL-OUT SLIDE SYSTEMS - FR775.ECD**

Up to 175-lbs



Progressive action with easy close. Floor mount. Top & bottom slide included. White powder coated. Sold individually.

Item #	Size In.
4203	20
4204	22

**PANTRY PULL-OUT SLIDE SYSTEM - FR771.ECD**

Up to 275-lbs



Progressive action with easy close. Floor mount. Top & bottom slide included. White powder coated. Sold individually.

Item #	Size In.
82042	22

**PANTRY PULL-OUT SLIDE SYSTEMS - FR777**

Up to 450-lbs



Progressive action; easy close ready, floor mount. Top & bottom slide included. White powder coated. Sold individually.

Item #	Size In.
7722	20
7723	22

**EASY CLOSE SYSTEM - FR777.ECD FOR FR777**



Turn your FR777 (#7722 or #7723) into an easy close system. Sold individually.

Item #	Description
3430	Pull-Out Slide System

Visit us on the web at [www.unitedplywoods.com](http://www.unitedplywoods.com)

Birmingham, AL  
1640 Mims Ave. SW  
Ph: 205-925-7601  
Fax: 205-925-1315  
800-272-6486

Decatur, AL  
723 Old Trinity Road  
Ph: 256-355-3161  
Fax: 256-355-0073  
800-321-6886



Mobile, AL  
5445 Business Parkway  
Ph: 251-378-0188  
Fax: 251-378-0190  
877-531-7468

Montgomery, AL  
581 Trade Center Street  
Ph: 334-265-6721  
Fax: 334-265-6725  
800-392-8024



**DRAWER SLIDES - EPOXY COATED**

6610 Series

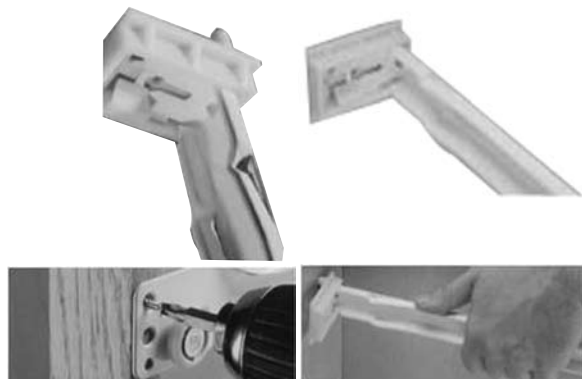


100-lb. White epoxy coated, 3/4 ext, self closing, bottom mount. For frameless & face frame cabinet applications. Made in the U.S.A. Rear mount sockets: sold individually. Slides: sold by the pair in full box quantities.

Item #	Size In.	Box Qty
GR10112	14	20 Pairs
GR10114	16	20 Pairs
GR10116	18	20 Pairs
GR10118	20	20 Pairs
GR10120	22	20 Pairs
Item #	Description	Box Qty
GR10122	Left hand rear mount socket	500 Pcs
GR10124	Right hand rear mount socket	500 Pcs

**DRAWER SLIDES - EPOXY COATED**

6604 Series - V-Notch - Plug-In



3/4 ext, self closing, bottom mount, drawer slides for face frame cabinet applications. Made in the U.S.A. V-Notch back with pre-mounted, self-adjusting plug-in socket on cabinet members. Kitchen and vanity lengths. Double captive. White epoxy coated. Sold in full box quantities.

Item #	Description	Size In.	Box Qty
GR10125-1	Vanity - Cabt. Member Left	19-3/4	50 Pcs
GR10125-2	Vanity - Cabt. Member Right	19-3/4	50 Pcs
GR10125-3	Vanity - Drawer Member Left	18-1/2	100 Pcs
GR10125-4	Vanity - Drawer Member Right	18-1/2	100 Pcs
GR10125-5	Kitchen - Cabt. Member Left	22-3/4	50 Pcs
GR10125-6	Kitchen - Cabt. Member Right	22-3/4	50 Pcs
GR10125-7	Kitchen - Drawer Member Left	21-5/8	100 Pcs
GR10125-8	Kitchen - Drawer Member Right	21-5/8	100 Pcs

SLIDES

Visit us on the web at [www.unitedplywoods.com](http://www.unitedplywoods.com)

Birmingham, AL  
1640 Mims Ave. SW  
Ph: 205-925-7601  
Fax: 205-925-1315  
800-272-6486

Decatur, AL  
723 Old Trinity Road  
Ph: 256-355-3161  
Fax: 256-355-0073  
800-321-6886



Mobile, AL  
5445 Business Parkway  
Ph: 251-378-0188  
Fax: 251-378-0190  
877-531-7468

Montgomery, AL  
581 Trade Center Street  
Ph: 334-265-6721  
Fax: 334-265-6725  
800-392-8024



**METAL DRAWER SYSTEM - EPOXY COATED**

Zargen Series



Metal drawer system products, self closing 3/4 extension, for face frame and frameless cabinet applications. White epoxy coated, built-in stop. Great for commercial and kitchen applications. 100 lb load capacity. Pre-attached 10mm dowels for assembly of drawer fronts and drawer backs. The 2-minute drawer. Slides: sold by the pair in full box quantities. Rear mount sockets: sold individually.

- 6035 - 1-11/16" (43mm) Height
- 6026/6036 - 3-3/8" (85mm) Height
- 6136 - 4-5/8" (117mm) Height
- 6236 - 5-7/8" (149mm) Height
- 6436 - 8-3/8" (213mm) Height

Item #	Description	Box Qty
GR10137-1	6035 470mm	10 Pair
GR10137-2	6035 510mm	10 Pair
GR10137	6035 550mm	10 Pair
GR10138	6036 350mm	10 Pair
GR10140	6036 400mm	10 Pair
GR10142	6036 440mm	10 Pair
GR10144	6036 470mm	10 Pair
GR10152	6026 510mm	400 Pair
GR10146	6036 510mm	10 Pair
GR10150	6036 510mm	400 Pair
GR10148	6036 550mm	10 Pair
GR10148-1	6036 550mm	300 Pair
GR10149-1	6136 510mm	5 Pair
GR10149-3	6136 510mm	200 Pair
GR10149-2	6136 550mm	5 Pair
GR10149-4	6136 550mm	200 Pair
GR10154	6236 350mm	5 Pair
GR10156	6236 400mm	5 Pair
GR10158	6236 440mm	5 Pair
GR10160	6236 470mm	5 Pair
GR10162	6236 510mm	5 Pair
GR10164	6236 550mm	5 Pair
GR10164-1	6236 550mm	200 Pair
GR10166	6436 350mm	5 Pair
GR10168	6436 400mm	5 Pair
GR10170	6436 440mm	5 Pair
GR10172	6436 470mm	5 Pair

Item #	Description	Box Qty
GR10174	6436 510mm	5 Pair
GR10176	6436 550mm	5 Pair
GR10122	Left hand rear mount socket	500 Pieces
GR10124	right hand rear mount socket	500 Pieces

**NYLON DOWELS**

Zargen Metal Drawer System



10mm diameter x 11mm length. To be used with Grass Zargen metal drawers for drawer fronts, drawer backs and mounting miscellaneous accessories. Use with #6 flat head screws, sold separately. 100 Pieces per pack. Sold by the pack.

Item #	Material
GR10195-1	Nylon

**ZINC L-BRACKETS**



Sold individually.

Item #	Material	Box Quantity
GR10194	Zinc	100 Pcs

Visit us on the web at [www.unitedplywoods.com](http://www.unitedplywoods.com)

Birmingham, AL  
1640 Mims Ave. SW  
Ph: 205-925-7601  
Fax: 205-925-1315  
800-272-6486

Decatur, AL  
723 Old Trinity Parkway  
Ph: 256-355-3161  
Fax: 256-355-0073  
800-321-6886



Mobile, AL  
5445 Business Parkway  
Ph: 251-378-0188  
Fax: 251-378-0190  
877-531-7468

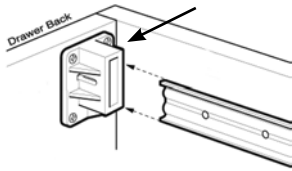
Montgomery, AL  
581 Trade Center Street  
Ph: 334-265-6721  
Fax: 334-265-6725  
800-392-8024





**FILE DRAWER ACCESSORIES**

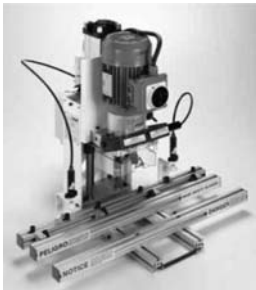
Zargen Metal Drawer System and Wood Drawer Boxes Partition Rail Clip



For face frame and frameless applications. White plastic. Use with partition rail. 20 Pieces per box. Sold individually.

Item #	Description
GR10189-1	Partition rail clips

**HINGE MACHINES - PNEUMATIC EcoPress**



Hinge drilling and insertion machines. 42mm dowel/screw spread pattern. Additional 3-spindle 32mm spread for line boring. Quick disconnect chucks. Pneumatic material hold down cylinders. Build in drilling depth stops. Hinge insertion ram and boring bits sold separately. Sold individually.

Item #	Description
GR10196	220 Volt - Single Phase
GR10198	110 Volt - Single Phase

**ECOPRESS MACHINE ACCESSORIES**



Zargen and hinge drilling accessories. Sold individually.

Item #	Description
GR10204	Quick change ratchet with flipper stop

**ECOPRESS MACHINE ACCESSORIES**



To be used with Grass EcoPress machines for drilling drawer backs for the Grass Zargen metal drawer system. Sold individually.

Item #	Description
GR10202	Side to Side Stop

**ECOPRESS MACHINE ACCESSORIES**



To be used with Grass EcoPress machines for use with Grass Zargen metal drawer system drilling. Sold individually.

Item #	Description
GR10200	Ext Bar Type 1

**ECOPRESS MACHINE ACCESSORIES**



Zargen and hinge drilling accessories. Allows quick fence movement with multiple pre-set stops for your personalized standard applications. Sold individually.

Item #	Description
GR10214	Revolving fence stop

**BORING BITS**

Brad Point



Brad point boring bits with countersink cutters. To be used for drilling Grass Zargen metal drawer system drawer fronts and drawer backs. 10mm shank diameter. 57mm length. Sold individually.

Item #	Description
GR10210	10mm Right Hand
GR10212	10mm Left Hand

**ROUTER BITS**



For grooving Grass Zargen metal drawer bottoms. 1/2" shank diameter. Sold individually.

Item #	Description
GR10208	Router Bit - Drawer Bottoms

**PNEUMATIC RAM**



Zargen metal drawer assembly machine. Sold individually.

Item #	Description
GR10206	Pneumatic Ram

Visit us on the web at [www.unitedplywoods.com](http://www.unitedplywoods.com)

Birmingham, AL  
1640 Mims Ave. SW  
Ph: 205-925-7601  
Fax: 205-925-1315  
800-272-6486

Decatur, AL  
723 Old Trinity Road  
Ph: 256-355-3161  
Fax: 256-355-0073  
800-321-6886

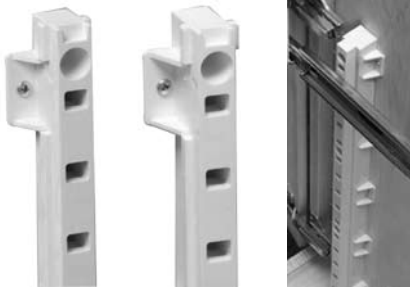


Mobile, AL  
5445 Business Parkway  
Ph: 251-378-0188  
Fax: 251-378-0190  
877-531-7468

Montgomery, AL  
581 Trade Center Street  
Ph: 334-265-6721  
Fax: 334-265-6725  
800-392-8024



**QUICKTRAY ROLL-OUT DRAWER SPACER SUPPORTS**



For face frame and frameless applications. Toolless adjustability of roll out drawers. Use with any type of drawer slide. Pack contains: 4-roll out spacer strip supports, 8-metal hook dowels to accommodate 2-roll out drawers, needed screws. Cream color. Sold by the pack.

Item #	Thickness In.	Length In.	Packs per Box
B-520-02	1	20.125	20
B-522-02	1-1/4	20.125	20
B-525-02	2	20.125	10

**QUICKTRAY ROLL-OUT DRAWER SPACER SUPPORTS - SHORTY**



For face frame and frameless applications. Toolless adjustability of roll out drawers. Great for sink base applications. Use with any type of drawer slide. Pack contains: 4-shorty roll out spacer strip supports, 4-metal hook dowels to accommodate 1-roll out drawer, needed screws. Cream color. Sold by the pack.

Item #	Thickness In.	Length In.	Packs per Box
B-523-02	1-1/4	3.76	20

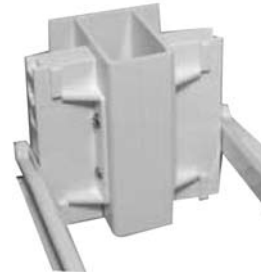
**QUICKTRAY ROLL OUT DRAWER CENTER PARTITION SUPPORT**



For face frame applications. For mounting roll out spacer strip supports behind a center stile. Pack contains: 2-center partition supports, needed screws. Cream color. 12 Packs per box. Sold by the pack.

Item #	Length In
B-235-02	20.12

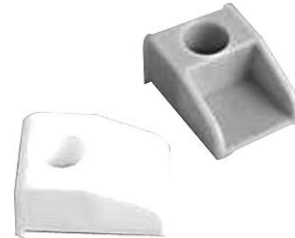
**QUICKTRAY ROLL OUT DRAWER CENTER PARTITION SUPPORT - SHORTY**



For face frame applications. For mounting shorty roll out spacer strip supports behind a center stile. Pack contains: 2-center partition supports, needed screws. Cream color. 12 Packs per box. Sold by the pack.

Item #	Length In
B-263-02	4

**ROLL OUT DRAWER BUMPERS**



Protects roll out drawers from damaging doors when opening. 11.5mm (7/16") thickness. 2 Pieces per pack. 50 Packs per box. Sold by the pack.

Item #	Color
B-333	Natural
B-335	Beige

SLIDES

Visit us on the web at [www.unitedplywoods.com](http://www.unitedplywoods.com)

Birmingham, AL  
1640 Mims Ave. SW  
Ph: 205-925-7601  
Fax: 205-925-1315  
800-272-6486

Decatur, AL  
723 Old Trinity Road  
Ph: 256-355-3161  
Fax: 256-355-0073  
800-321-6886



Mobile, AL  
5445 Business Parkway  
Ph: 251-378-0188  
Fax: 251-378-0190  
877-531-7468

Montgomery, AL  
581 Trade Center Street  
Ph: 334-265-6721  
Fax: 334-265-6725  
800-392-8024



**WOOD SCREWS - FLAT HEAD - HARDWARE**



Flat head, #2 phillips drive, deep thread nickel plated screws with and/or without type-17 tip. 1,000 pieces per jar. Sold by the jar.

Item #	Size In.
63050	1/2
63052	5/8 T-17 Tip
63054	3/4 T-17 Tip

**WOOD SCREWS - FLAT HEAD - HARDWARE**



#6 Flat head, #2 square/phillips combo drive, deep thread, zinc plated screws, type-17 tip. 1,000 pieces per box. Sold by the box.

Item #	Size In.
63160	1/2
63162	5/8
63164	3/4



**WOOD SCREWS - FLAT HEAD - HARDWARE  
Specialty Fasteners**



#6, Flat head, #2 phillips drive, deep thread, nickel plated screws. 500 Pieces per pack. Sold by the pack.

Item #	Size In.
GR10097-2	5/8
GR10097-3	3/4

**WOOD SCREWS - BALL BEARING DRAWER SLIDES**



#8 Modified truss head, #2 phillips drive. Zinc screws for ball bearing drawer slides. 1,000 Pcs per jar. Sold by the jar.

Item #	Size In.
63048	7/16

**EURO SCREWS - PHILLIPS DRIVE**



6.3mm, flat head, #2 Phillips drive, deep thread, nickel plated euro screws. 1,000 Pieces per box. Sold by the box.

Item #	Description
63057	13mm (1/2")

**EURO SCREWS - POZI DRIVE**



6.3mm, Flat head, #2 pozi drive, deep thread, nickel plated euro screws. 1,000 Pieces per box. Sold by the box.

Item #	Size
63056	10mm (3/8")
63058	13mm (1/2")

**POZI SCREWDRIVER**



To be used with Grass hardware products. 50 Pieces per box. Sold individually.

Item #	Description
GR10132	Grass Pozi Screwdriver

**CENTERING VIX BITS**



For drilling precise holes when using various types of hardware when pre-drilling is required. 1/4" round and 1/4" hex shank models. Sold individually.

Item #	Size In.	Description
VB-5	7/64	Round Shank
VB-5HX	7/64	Hex Shank

Visit us on the web at [www.unitedplywoods.com](http://www.unitedplywoods.com)

Birmingham, AL  
1640 Mims Ave. SW  
Ph: 205-925-7601  
Fax: 205-925-1315  
800-272-6486

Decatur, AL  
723 Old Trinity Road  
Ph: 256-355-3161  
Fax: 256-355-0073  
800-321-6886



Mobile, AL  
5445 Business Parkway  
Ph: 251-378-0188  
Fax: 251-378-0190  
877-531-7468

Montgomery, AL  
581 Trade Center Street  
Ph: 334-265-6721  
Fax: 334-265-6725  
800-392-8024